

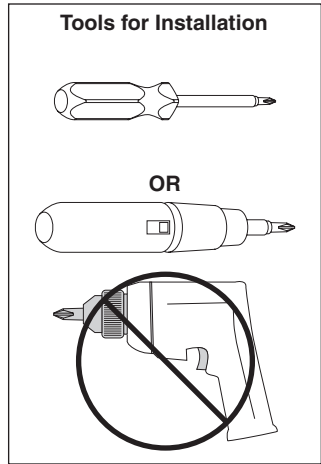
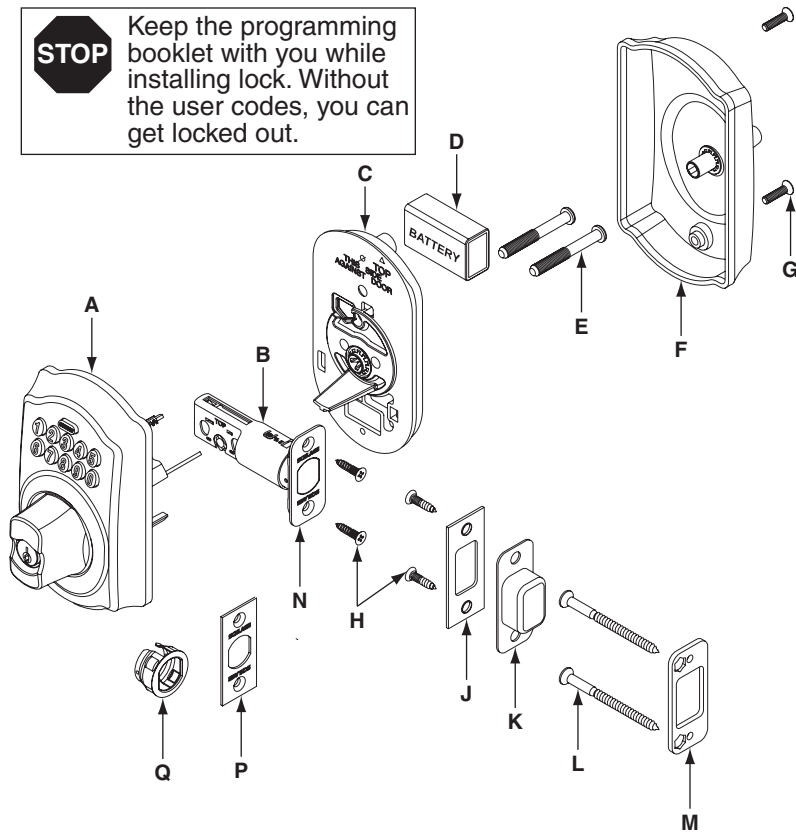


Installation Instructions BE365

P515-481

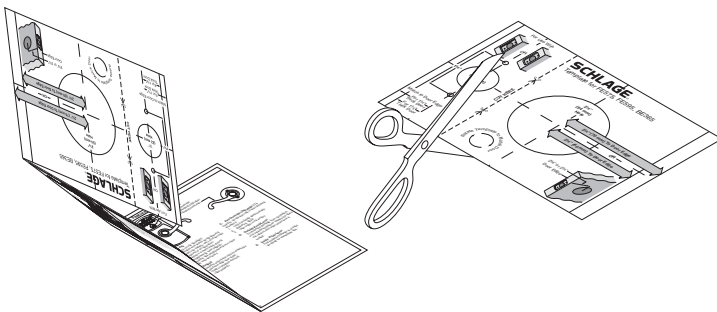
- A. Keypad Assembly
- B. Deadbolt
- C. Mounting Plate
- D. 9V Battery
- E. Mounting Screws
- F. Thumbturn Assembly
- G. Thumbturn Screws
- H. Deadbolt/Strike Screws
- J. Strike
- K. Dust Box
- L. Reinforcement Screws
- M. Reinforcement Plate
- N. Rounded-corner Faceplate
- P. Square-corner Faceplate
- Q. Drive-in Faceplate

STOP Keep the programming booklet with you while installing lock. Without the user codes, you can get locked out.



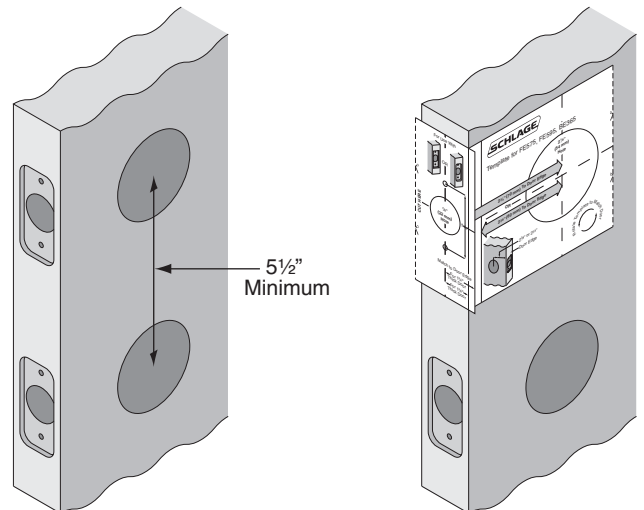
Install Lock

1 Remove Template From Programming Booklet



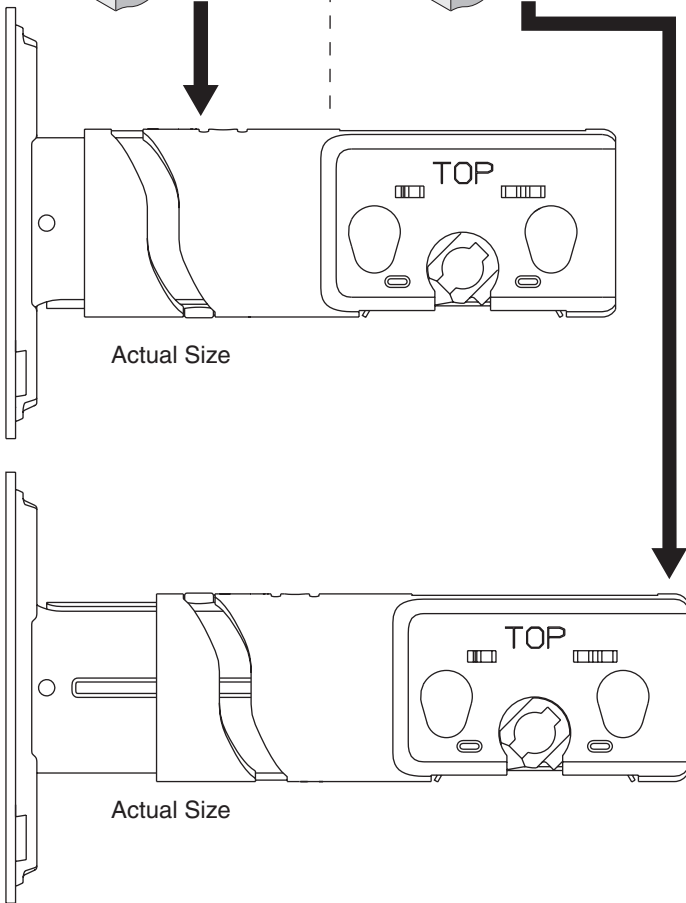
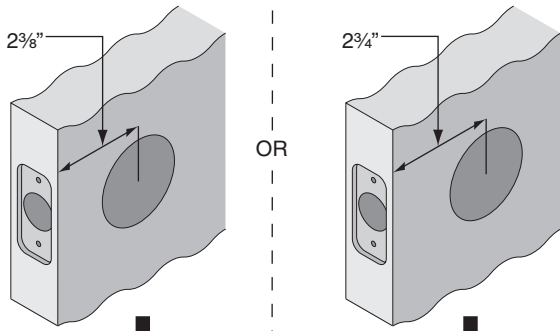
2 Check Door Holes

Note: If door holes do not match template, visit www.schlage.com for door drilling instructions.

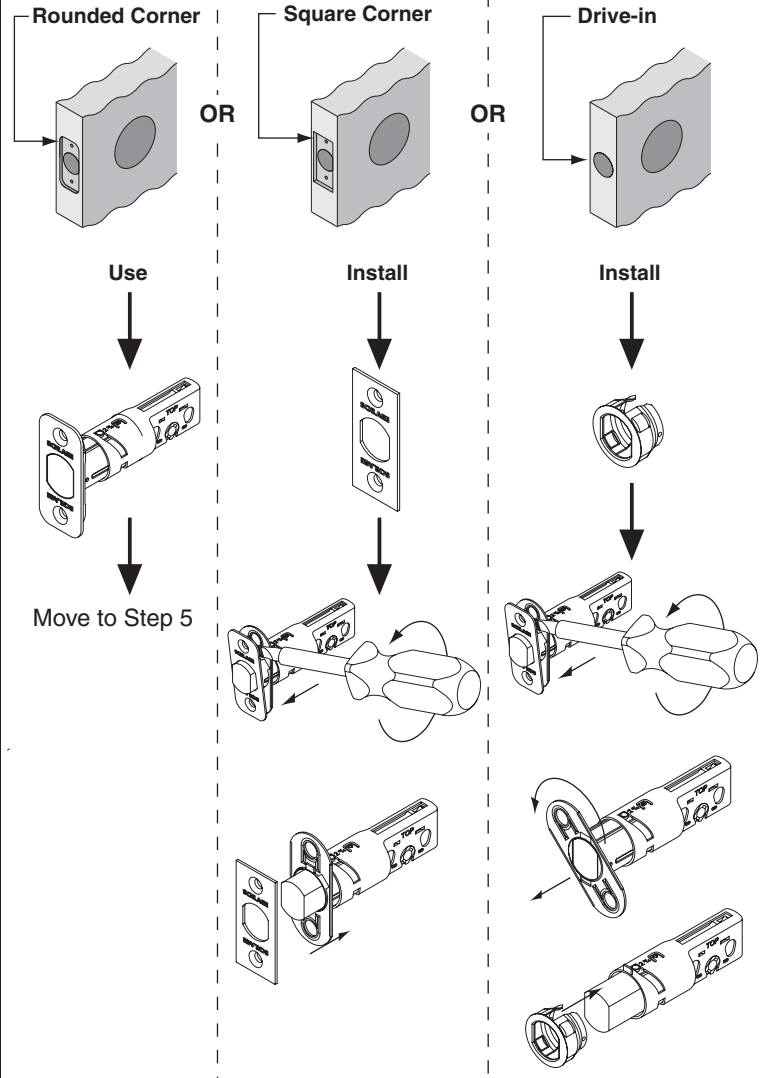


3

**For U.S.A.– Choose Appropriate Deadbolt
For Canada– See bottom of page.**

**4**

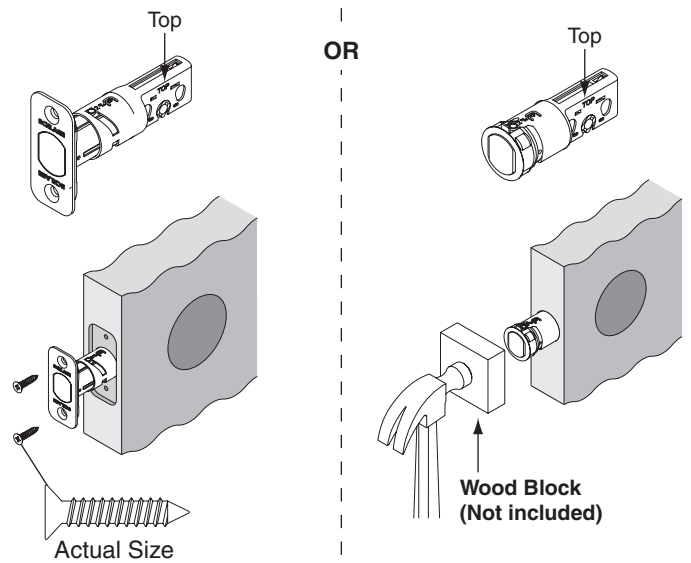
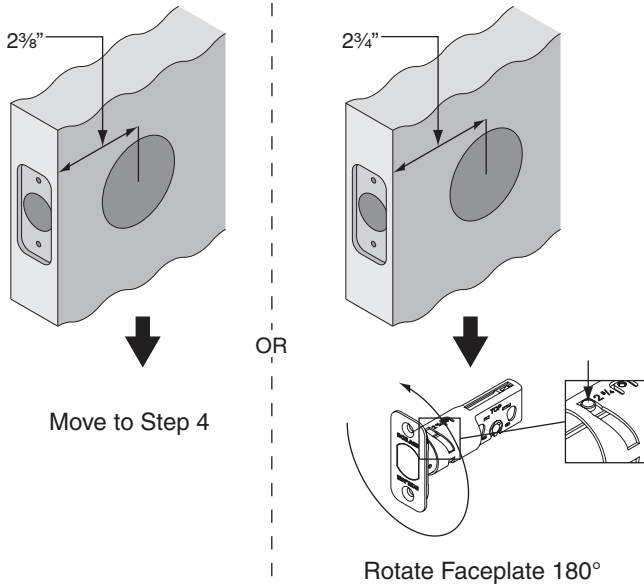
Choose Deadbolt Faceplate

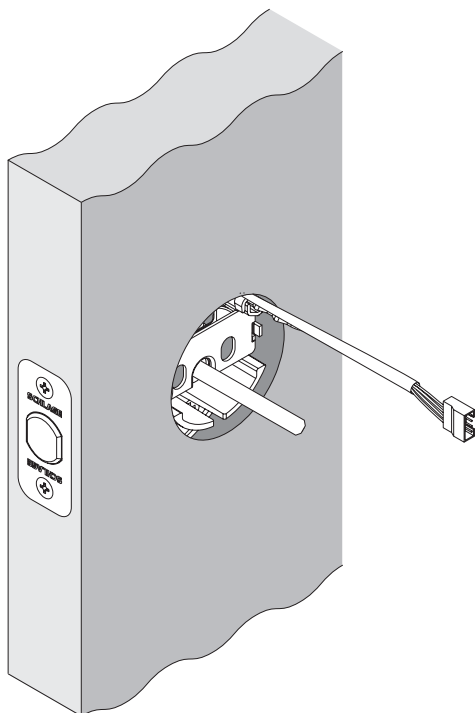
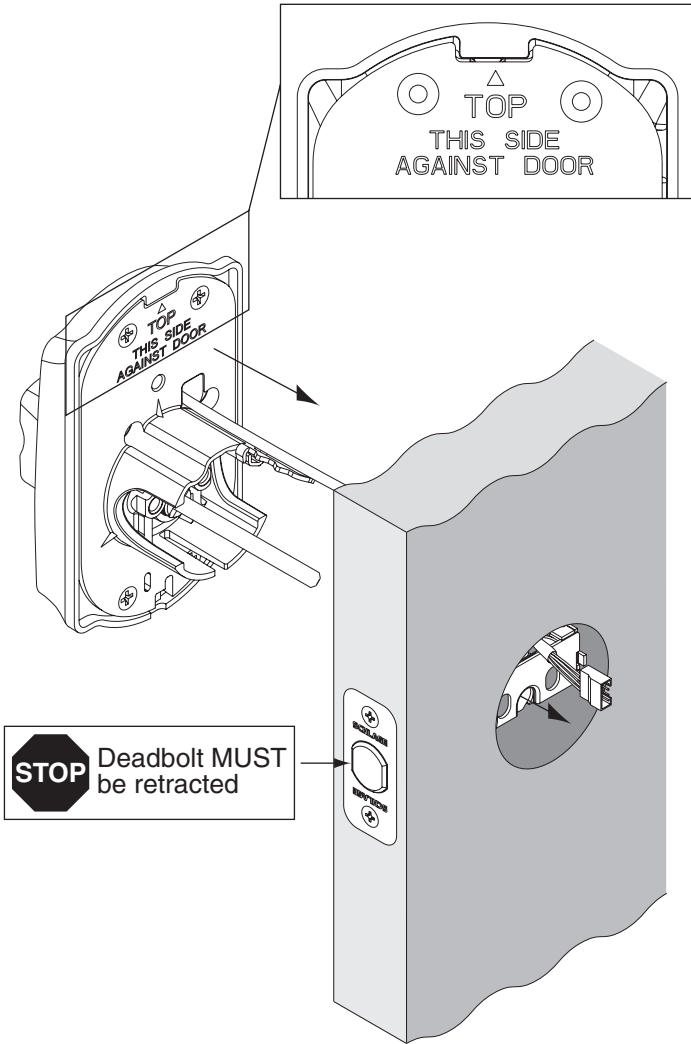
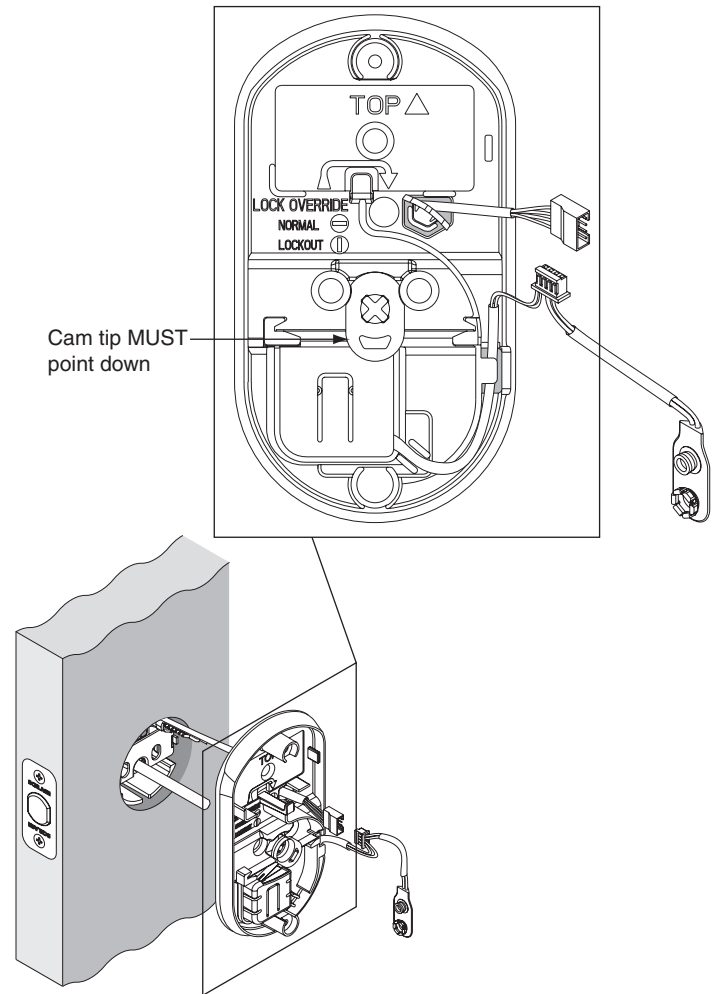
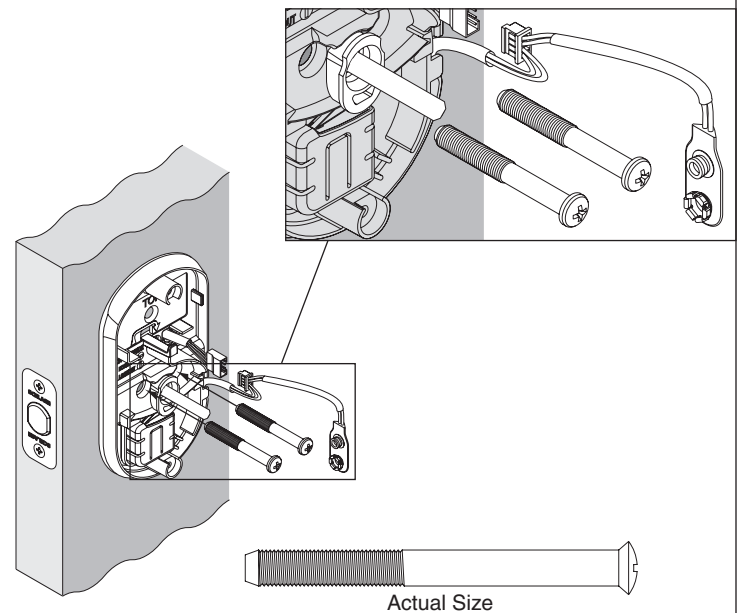
**5**

Install Deadbolt

IMPORTANT: Make sure "top" is pointing up.

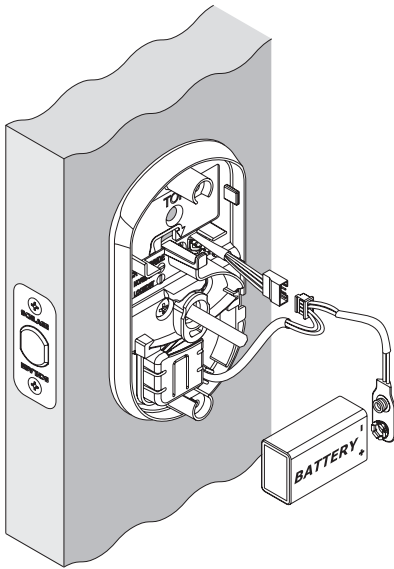
For Canada ONLY: If Needed, Adjust Deadbolt



6**Install Keypad Assembly****IMPORTANT:** Cable passes over top of deadbolt.**7****Install Inside Mounting Plate****IMPORTANT:** Pull excess wire through mounting plate.**8****Check Cam Orientation and Install Screws**

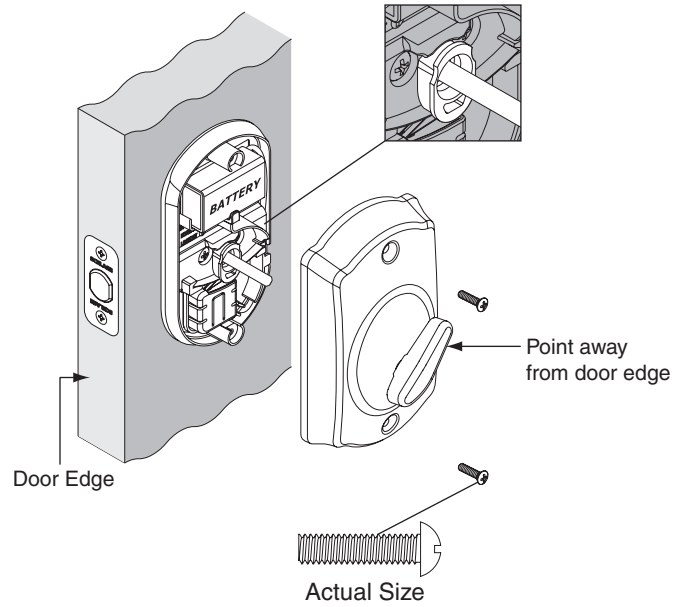
9

Install Battery and Connect Cables



11

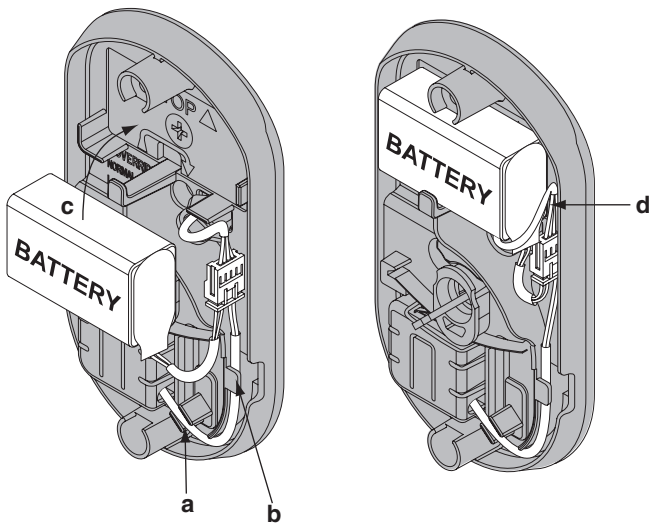
Install Thumbturn



10

Route and Tuck Cables

IMPORTANT: Cable must be routed and tucked as shown.



12

Install Strike, Dust Box and Reinforcer

