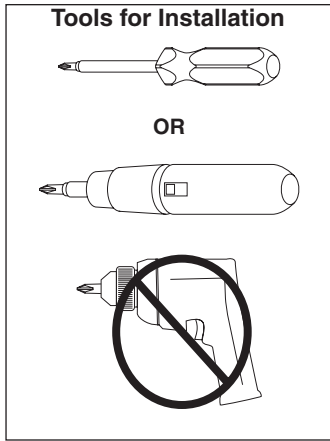


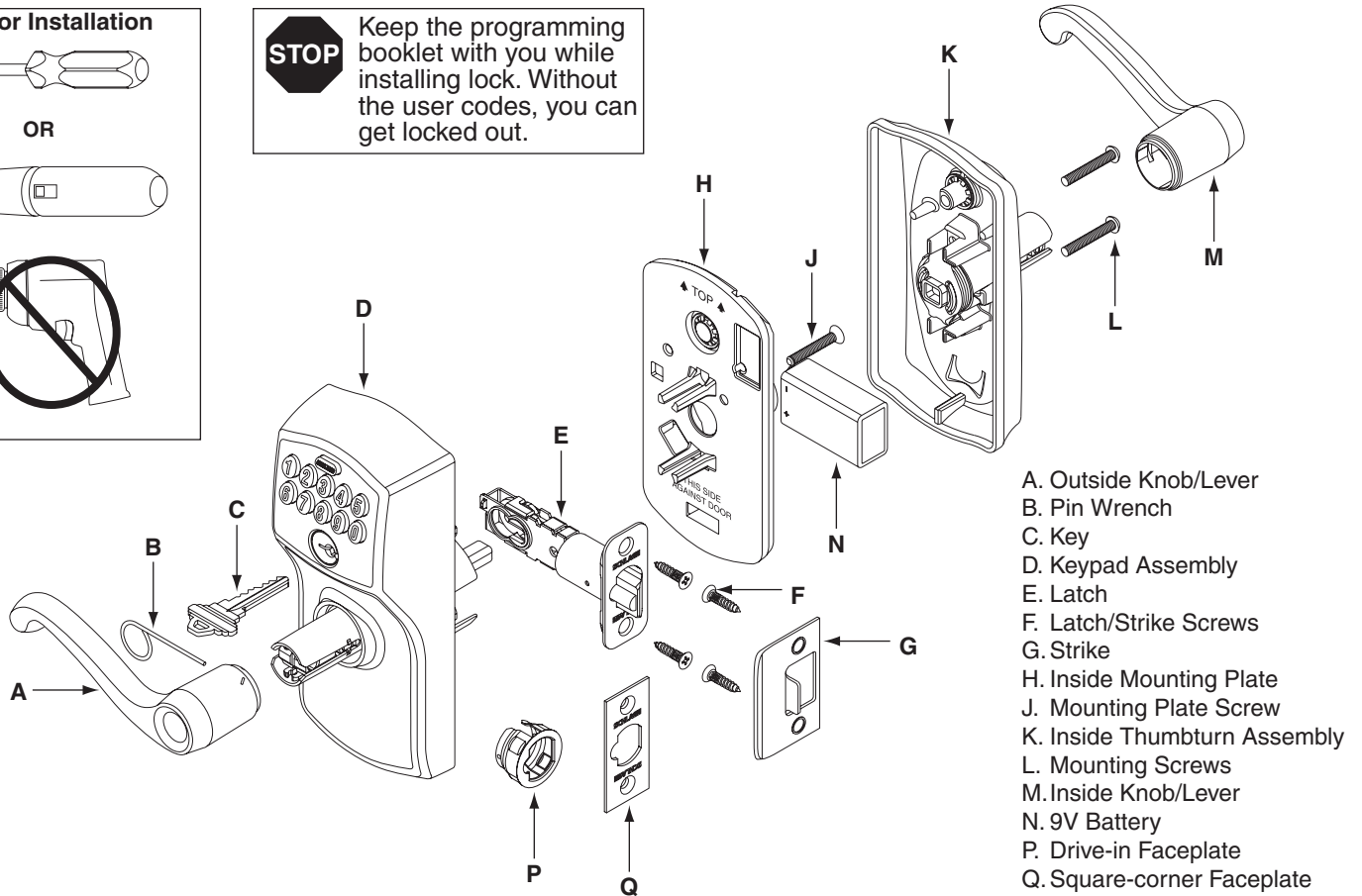


Installation Instructions FE595

P515-548

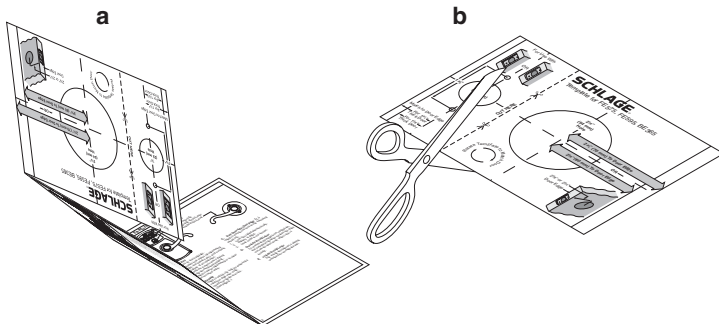


STOP Keep the programming booklet with you while installing lock. Without the user codes, you can get locked out.



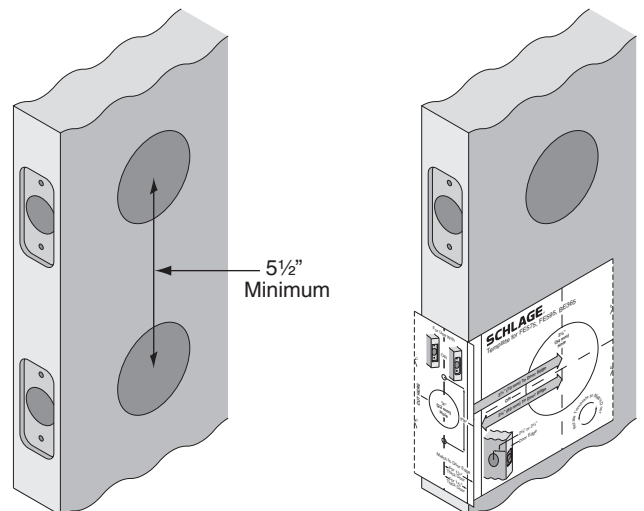
Install Lock

1 Remove Template From Booklet

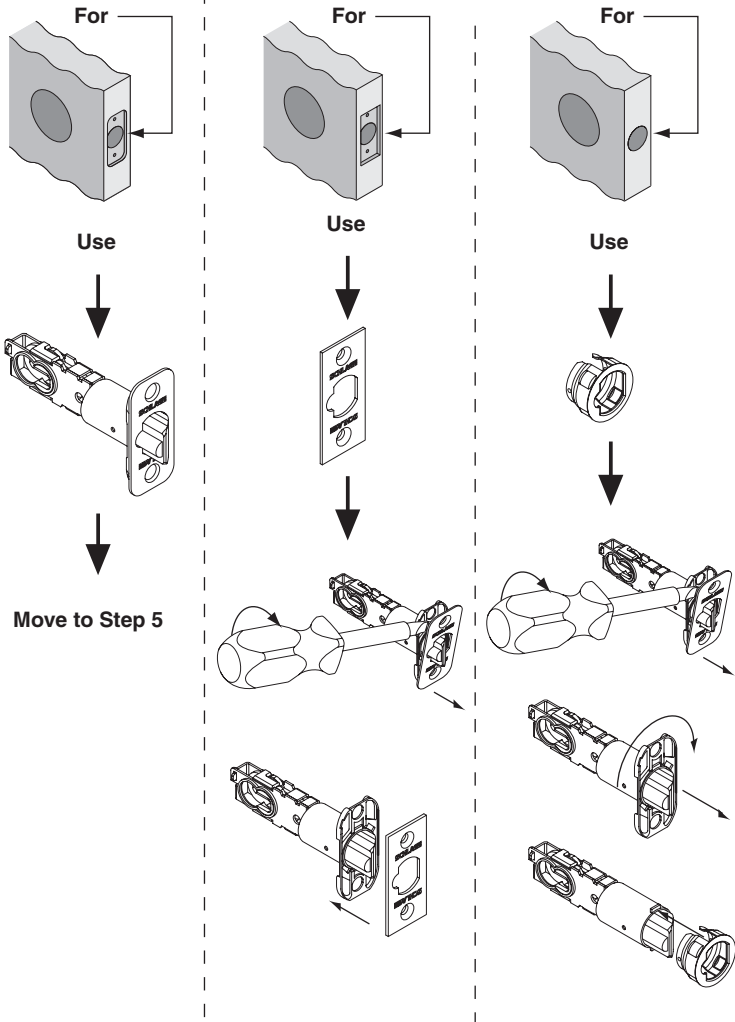


2 Check Door Holes

Note: If door holes do not match template, visit www.schlage.com for door drilling instructions.

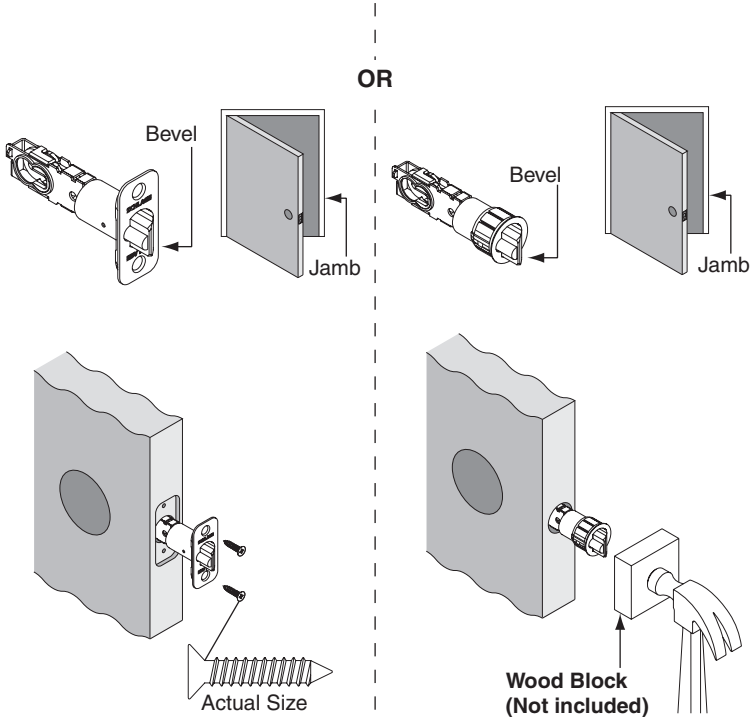


3 Choose Deadbolt Faceplate



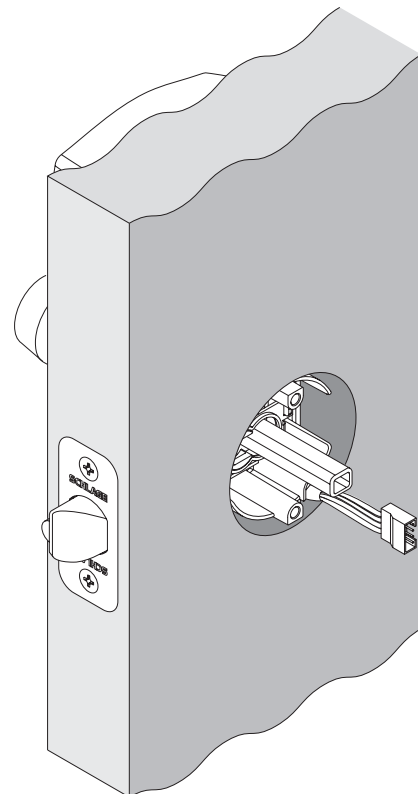
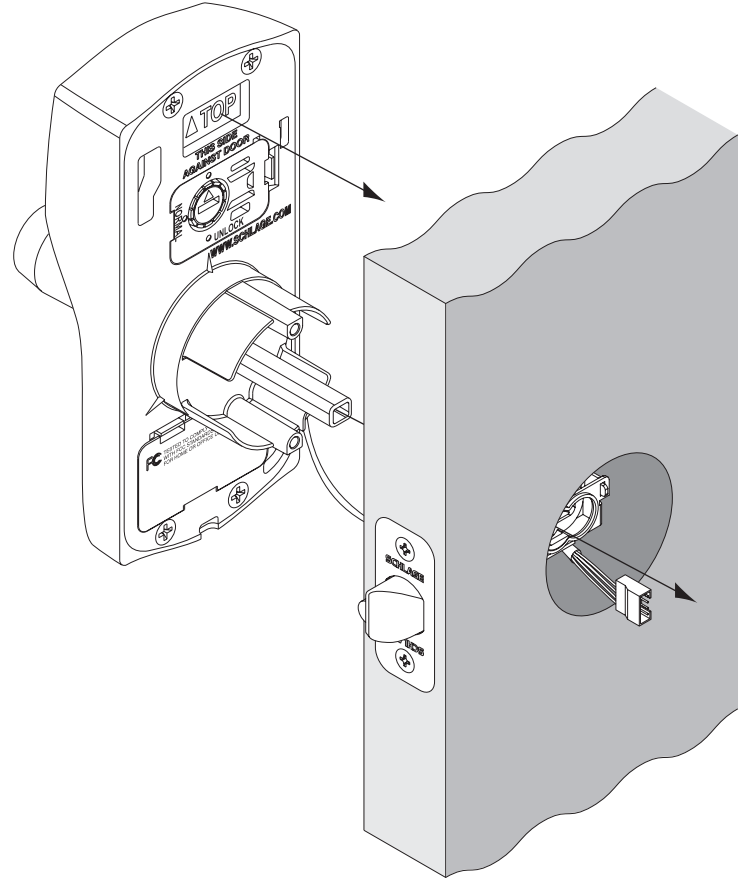
4 Install Latch

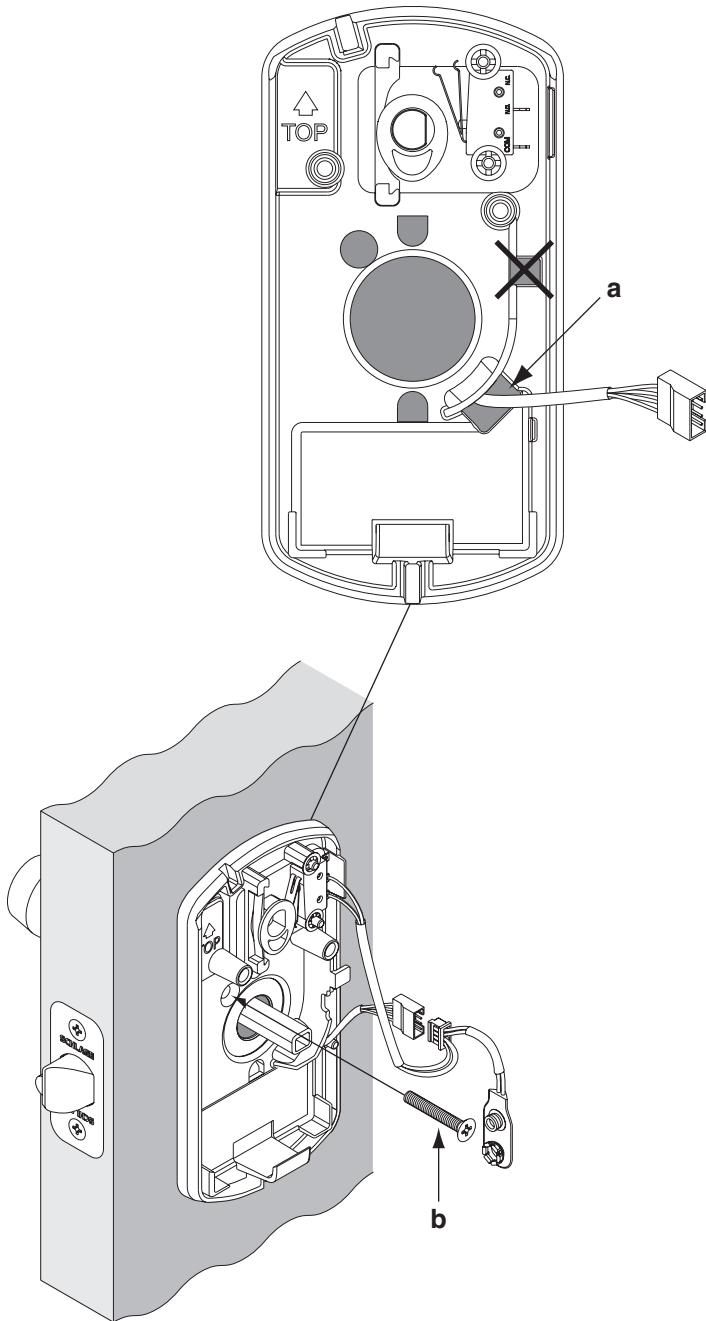
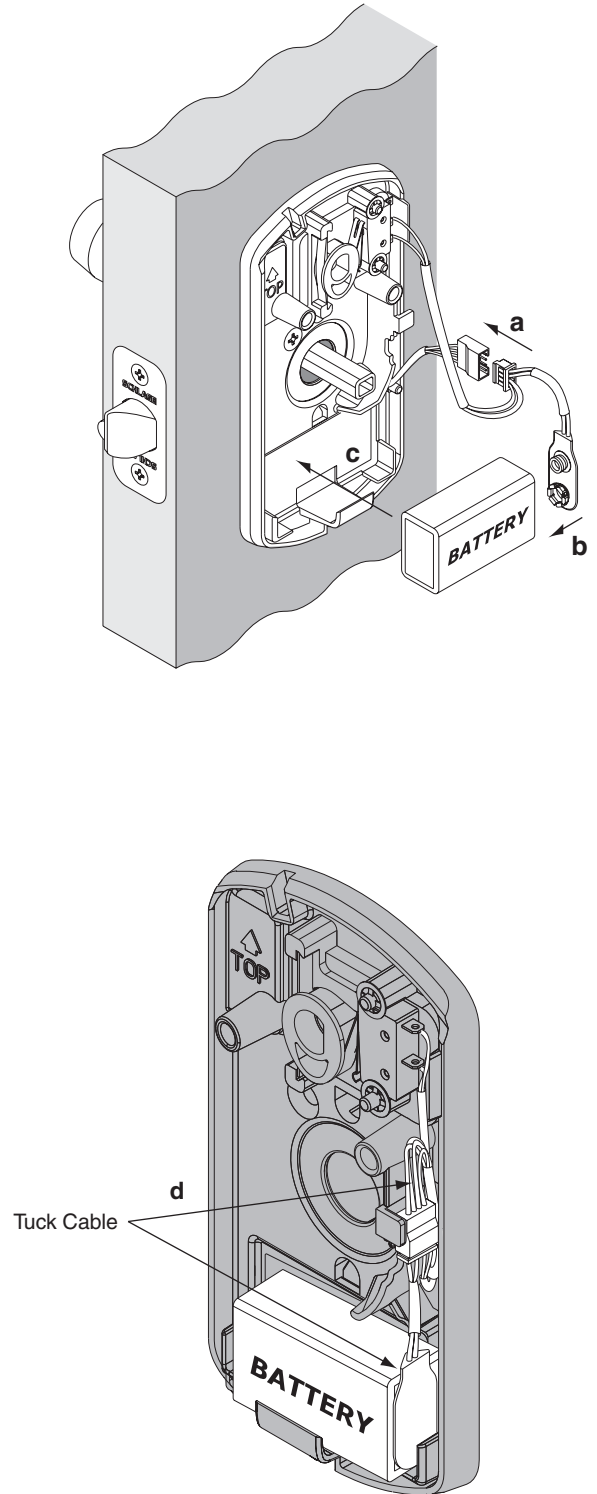
IMPORTANT: Latch bevel must face door jamb.



5 Install Keypad Assembly

IMPORTANT: Cable must slide under latch.

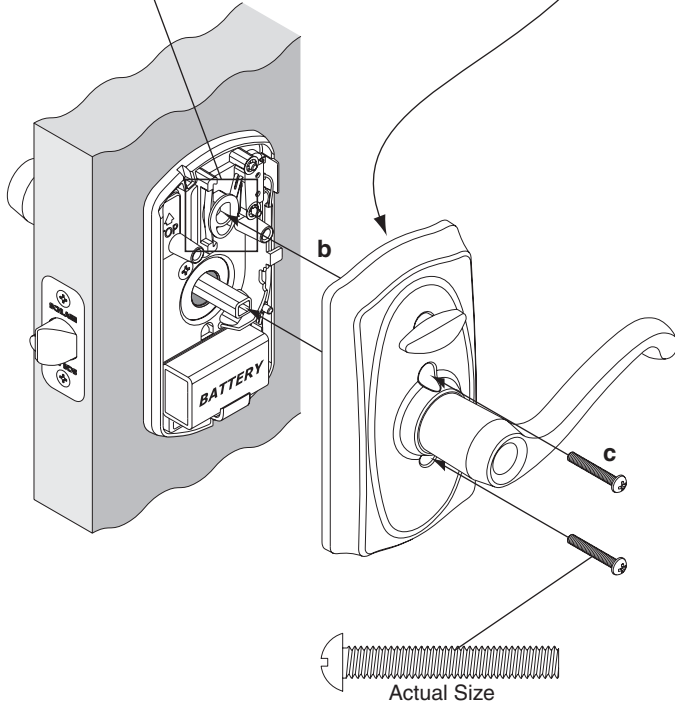
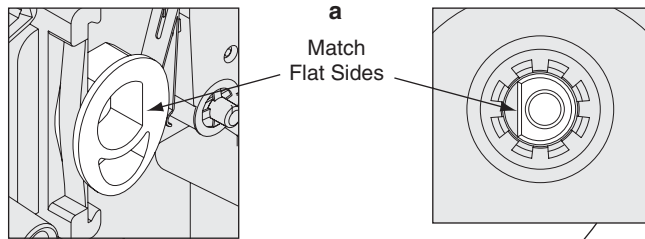


6**Install Inside Mounting Plate****IMPORTANT:** Pull excess wire through mounting plate.**7****Install Battery and Connect Cables****IMPORTANT:** Cable must be routed and tucked as shown.

8

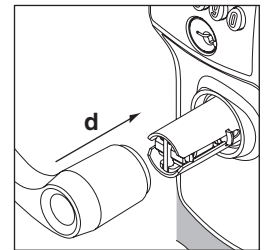
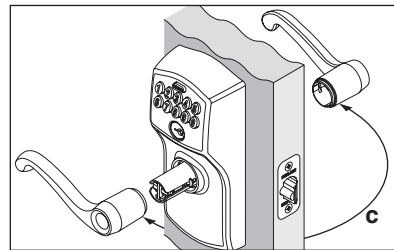
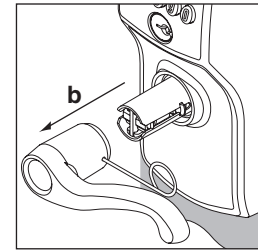
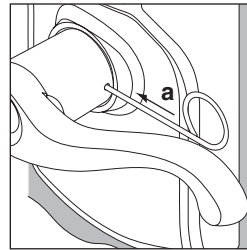
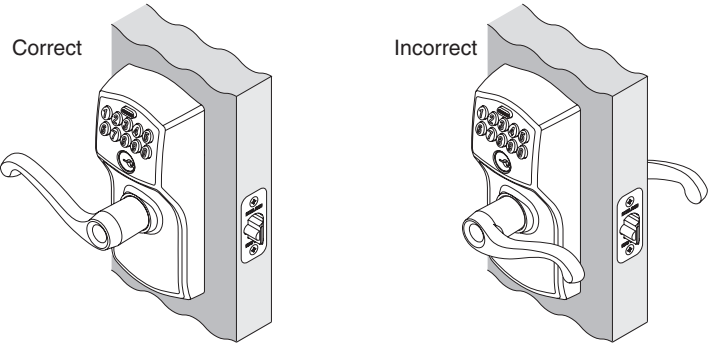
Install Inside Thumbturn Assembly

Note: Lock should be straight on door before tightening screws.



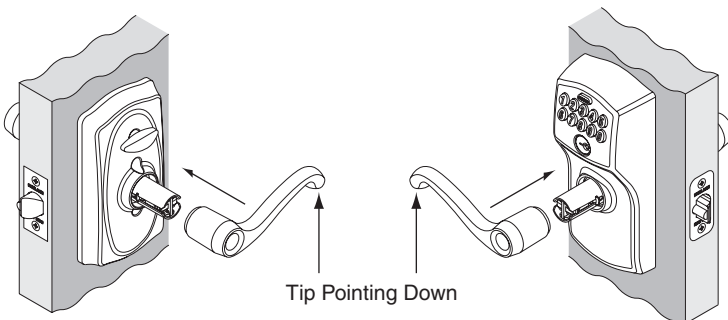
10

If Needed, Change Levers



9

If Needed, Install Knobs/Levers



10

Install Strike onto Door Jamb

