

FALCON

*Falcon
Monarch
Dor-O-Matic*

Auxiliary Locks

Deadlocks and Deadbolts



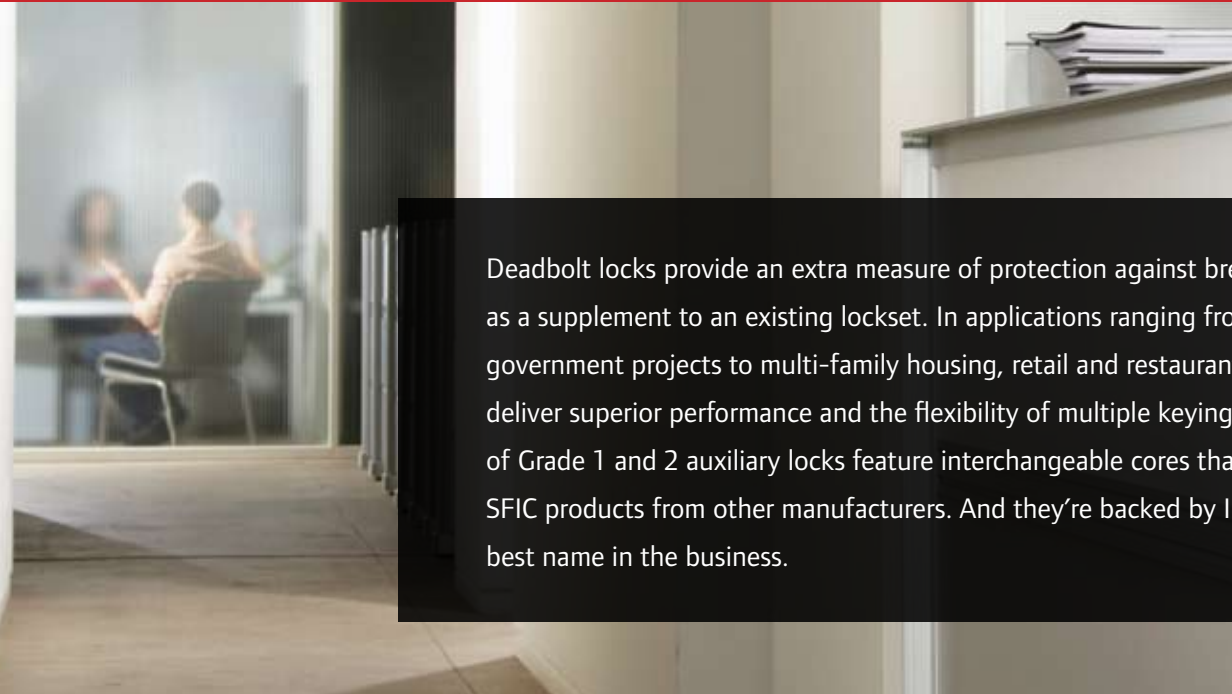
THE FALCON DIFFERENCE

S A F E T Y , S E C U R I T Y A N D U N C O M P R O M I S I N G V A L U E

At Falcon, we know that every product not only has to meet local building codes, but also expectations for performance and quality. We take those expectations seriously, and that's why we build Falcon locks to deliver durability, convenience and unmatched value. After all, we've built our reputation on the same standards that you have – providing quality products at a reasonable price delivered on time. It's the way we do business and it's what makes Falcon a powerful choice no matter what your project.

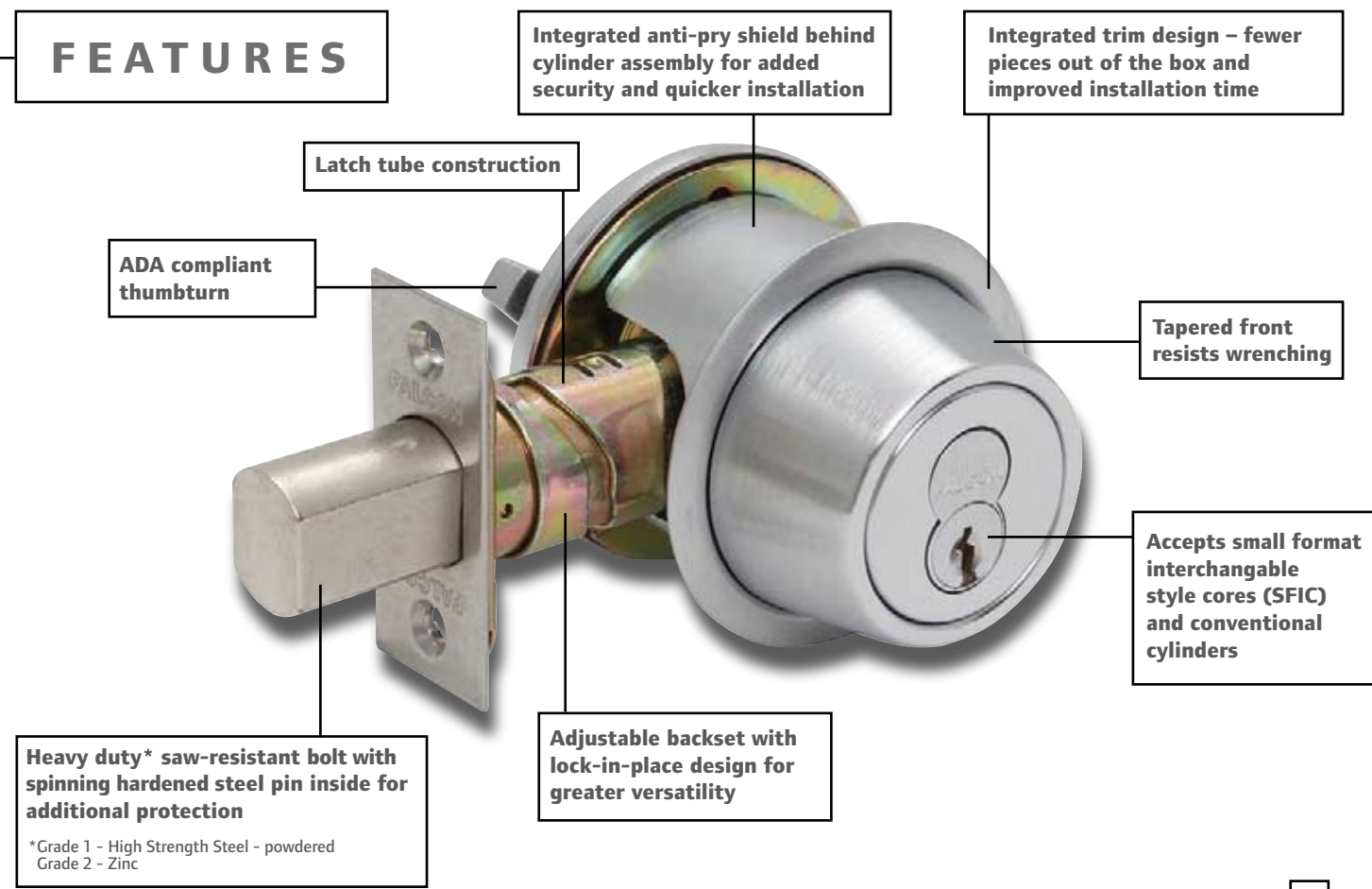


FALCON AUXILIARY LOCKS



Deadbolt locks provide an extra measure of protection against break-in when used as a supplement to an existing lockset. In applications ranging from military and government projects to multi-family housing, retail and restaurants, Falcon deadbolts deliver superior performance and the flexibility of multiple keying systems. Our full line of Grade 1 and 2 auxiliary locks feature interchangeable cores that are compatible with SFIC products from other manufacturers. And they're backed by Ingersoll Rand, the best name in the business.

FEATURES



D100 Heavy Duty Deadlocks 1" Bolt Projection

Door Thickness: 1-3/8" to 1-3/4". Up to 2-1/4" door thickness also available.

Backsets: 2-3/8" - 2-3/4" adjustable deadbolt.

Attachment: Locks are solidly attached to the door by 1/4" heat-treated steel bolts. These bolts pass through a steel plate (D111, D121 and D141) or the inner cylinder housing (D131) and thread directly into the back of the outer cylinder housing.

A permanent cap is inserted over the inside cylinder (D131) making the bolts nearly impossible to remove.

Handing: Non-handed. May be used on right hand or left hand doors swinging in or out.

Cylinders: Furnished with solid brass plug and housing, drilled with 6-pin chambers, pinned in 5 unless otherwise specified. Also available with 7-pin cylinders. Available with 6 or 7-pin interchangeable cores. Furnished with two (2) nickel silver keys standard.

Keyways: "G" keyway standard on conventional cylinders. "A" keyway standard on I/C core cylinders. Also available with some optional keyways.

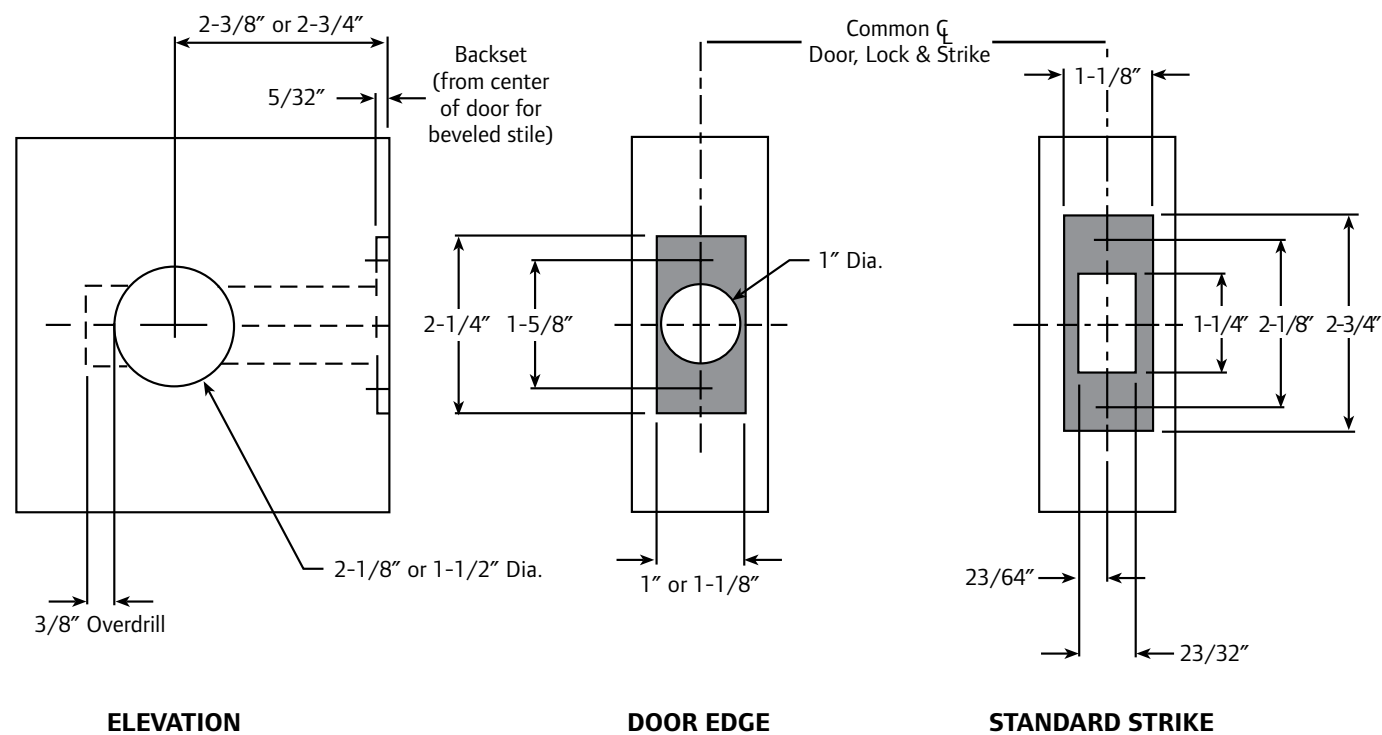
Exposed Trim: Wrought brass or bronze reinforced with steel insert.

Deadbolts: Deadbolt locks are furnished with deadbolts which have a full 1" projection. Housed within the deadbolt is a free-turning, 1/4" thick, hardened steel, saw-resistant roller. Furnished standard with 2-3/8" - 2-3/4" adjustable backset and 1-1/8" x 2-1/4" faceplate. Optional 1" x 2-1/4" faceplate. Consult Options and Accessories section for other optional faceplates. D100 bolt is high strength steel.

Strikes: 2-3/4" x 1-1/8" lipless strike standard. ANSI 4-7/8" x 1-1/4" lipless, 2-1/4" full lip strikes, a 2-3/4" x 1-1/8" T-strike or a security strike are available. Consult Options and Accessories section.

Screws: Furnished with wood/machine screws for use on wood or metal doors or frames.

ANSI/BHMA Standard: A156.5, 2001, Grade 1. UL Listed, A label, 3 hour.



Classroom Deadlock (Schoolhouse Safety)

Deadbolt thrown or retracted by key from outside. Inside turn will only retract bolt. Bolt automatically deadlocks when fully thrown.

ANSI/BHMA E01711



D111



Single Cylinder Deadlock

Deadbolt thrown or retracted by key only. Blank plate inside. Bolt automatically deadlocks when fully thrown.

ANSI/BHMA E01611



D121



Double Cylinder Deadlock

Deadbolt thrown or retracted by key from either side. Bolt automatically deadlocks when fully thrown.

ANSI/BHMA E01411



D131



Single Cylinder Deadlock with Turn

Deadbolt thrown or retracted by key or by turn. Bolt automatically deadlocks when fully thrown.

ANSI/BHMA E01511



D141



D200 Medium Duty Deadlocks 1" Bolt Projection

Door Thickness: 1-3/8" to 1-7/8". For thicker doors, available up to 2-1/4".

Backsets: 2-3/8" - 2-3/4" adjustable deadbolt.

Attachment: Locks are solidly attached to the door by 1/4" heat-treated steel bolts. These bolts pass through a steel plate (D211, D221 and D241) or the inner cylinder housing (D231) and thread directly into the back of the outer cylinder housing.

Handing: Non-handed. May be used in right hand or left hand doors swinging in or out.

Cylinders: Furnished with solid brass plug and housing, drilled with 6-pin chambers, pinned in 5 unless otherwise specified. Available with 6 or 7-pin interchangeable cores. Furnished with two (2) nickel silver keys standard.

Keyways: "G" keyway standard on conventional cylinders. "A" keyway standard on I/C core cylinders. Also available with some optional keyways.

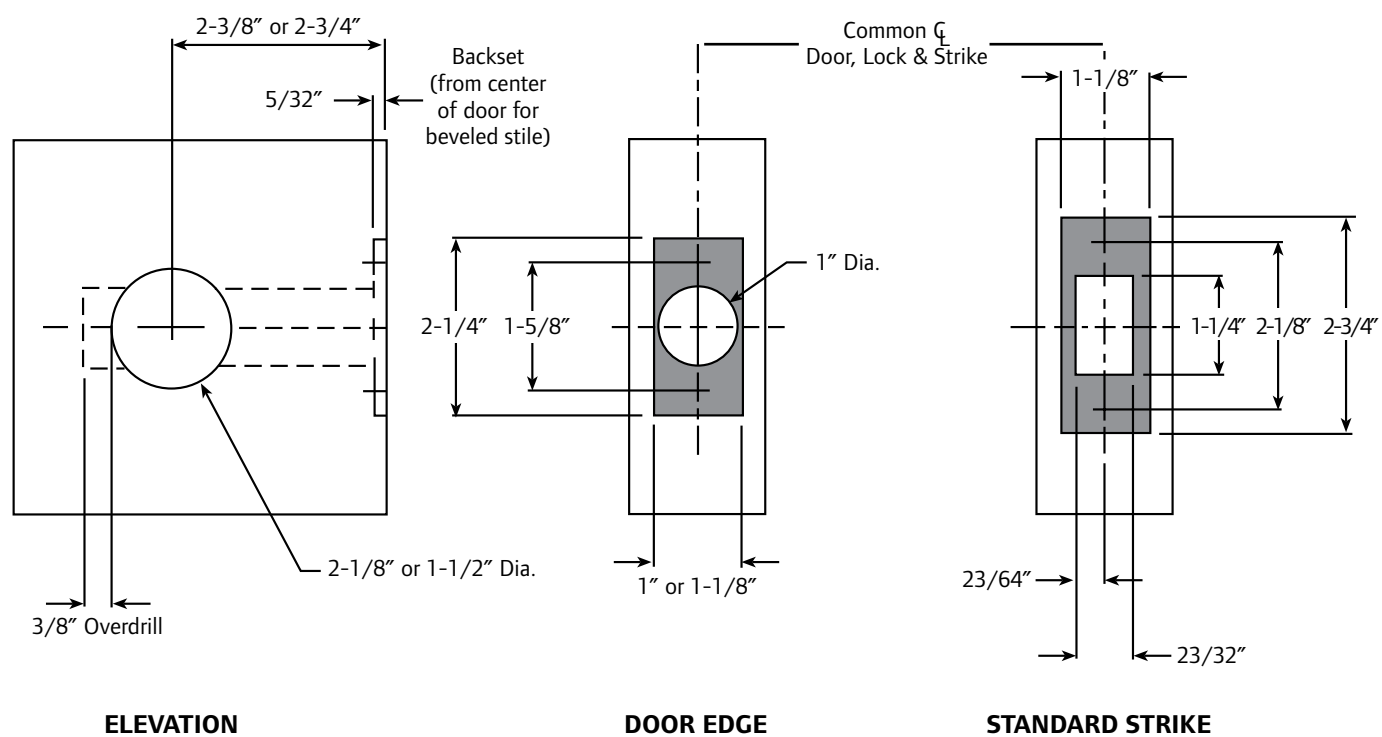
Exposed Trim: Wrought brass or bronze reinforced with steel insert.

Deadbolts: Deadbolt locks are furnished with deadbolts which have a full 1" projection. Housed within the deadbolt is a free-turning, 1/4" thick, hardened steel, saw-resistant roller. Furnished standard with 2-3/8" - 2-3/4" adjustable backset and 1-1/8" x 2-1/4" faceplate. Optional 1" x 2-1/4" faceplate. Consult Options and Accessories section for other optional faceplates. D200 bolt is cast zinc.

Strikes: 2-3/4" x 1-1/8" lipless standard. ANSI 4-7/8" x 1-1/4" lipless, 2-1/4" full lip strikes, a 2-3/4" x 1-1/8" T-strike or a security strike are available. Consult Options and Accessories section.

Screws: Furnished with wood/machine screws for use on wood or metal doors or frames.

ANSI/BHMA Standard: A156.5, 2001, Grade 2. UL Listed, A label, 3 hour.



Classroom Deadlock (Schoolhouse Safety)

Deadbolt thrown or retracted by key from outside. Inside turn will only retract bolt. Bolt automatically deadlocks when fully thrown.

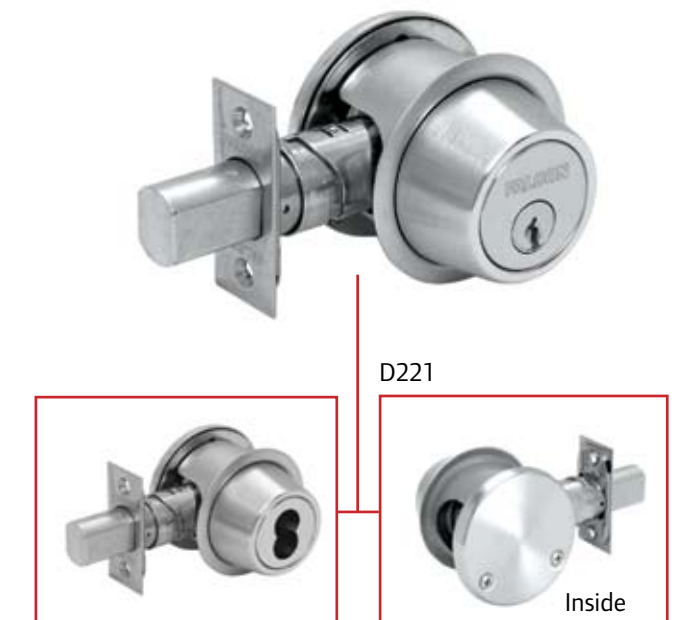
ANSI/BHMA E01712



Cylinder Deadlock

Deadbolt thrown or retracted by key only. Blank plate inside. Bolt automatically deadlocks when fully thrown.

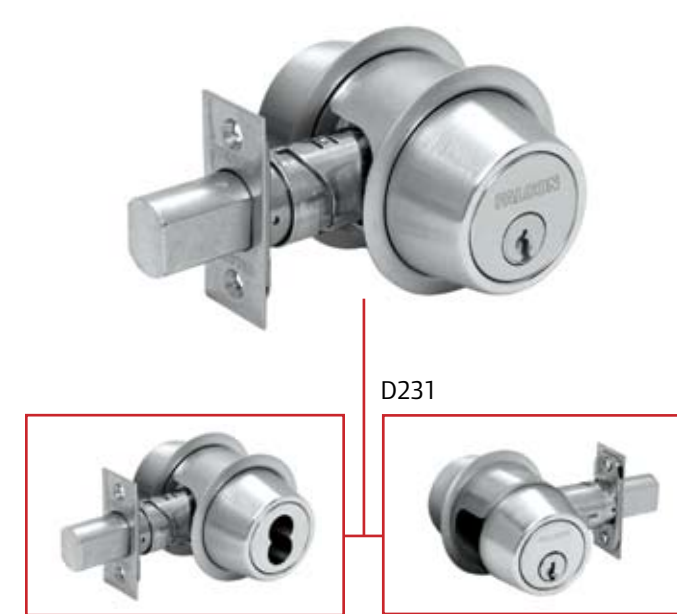
ANSI/BHMA E01622



Double Cylinder Deadlock

Deadbolt thrown or retracted by key from either side. Bolt automatically deadlocks when fully thrown.

ANSI/BHMA E21422



Single Cylinder Deadlock with Turn

Deadbolt thrown or retracted by key or by turn. Bolt automatically deadlocks when fully thrown.

ANSI/BHMA E21522



Deadbolt thrown or retracted by turn unit only. No outside trim. Bolt automatically deadlocks when fully thrown. ANSI/BHMA E2192



D261

Deadbolt thrown or retracted by turn unit only. Occupancy indicator on outside (reads either "in use" or "vacant" with color coding). Bolt automatically deadlocks when fully thrown. Emergency key supplied.



D271

Deadbolt thrown or retracted by turn unit only. Outside blank rose. Bolt automatically deadlocks when fully thrown. ANSI/BHMA E01112



D261M

H Series Construction Features

Door Thickness: 1-3/8" to 1-3/4".

Backset: 2-3/4" standard, 2-3/8" also available.

Attachment: Outer trims secured to the door by thru-bolts through a steel plate on the inside of the door. Inside escutcheon conceals mounting screws.

Handing: Specify hand of door when ordering. Field reversible.

Cylinders: "G" keyway standard. Drilled in 6 chambers, pinned in 5. Pinning in 6 chambers available when specified. Also available with 6 or 7-pin interchangeable core cylinders in H101 function only.

Trim: Roses are wrought brass, bronze or stainless steel, installed over wrought steel reinforcing plates. Knobs are brass, bronze or stainless steel secured by steel knob retainer which cannot be depressed when lock has been locked.

Latches: 1/2" projection, deadbolt has 1" projection with 1/4" hardened steel security roller. 2-3/4" backset with 2-1/4" x 1-1/8" latchface. 2-3/8" backset with 2-1/4" x 1" latchface. Other latchfaces available.

Strikes: (1) 2-3/4" x 1-1/8" T-strike and (1) 2-3/4" x 1-1/8" lipless strike.

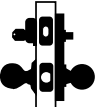
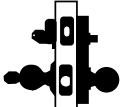
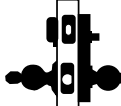
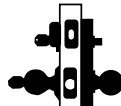
Mechanism: Cold formed steel, zinc plated and dichromated for rust resistance.

Certification: UL Listed 1-1/2 Hour B Label. Lever-style trim complies with Title 19, California State Fire Marshal and all ADA and barrier-free codes.



Trim Design Dimensions

Trim Design	Knob or Lever	Rose Diameter	Projection
H	2-1/8"	3"	2-3/4"
E	2"	3"	2-3/4"
D	4"	3"	2-1/2"

Catalog Number	Function	Description	ANSI No.
H101		Entry Single Locking Latch bolt operated by knob or lever from either side. Rotating turn from inside or key from outside extends deadbolt. Deadbolt and latch bolt retract by rotating inside knob or lever.	F94
H451		Hotel/Motel Lock Deadlocking latch bolt operated by key outside or rotating inside knob/lever. Outside knob/lever rigid. Rotating turn from inside or emergency key outside extends deadbolt. Both deadbolt and deadlocking latch bolt retract by rotating inside knob/lever. Depressing spanner button in inside knob/lever operates visual indicator shutting out all keys except emergency key. Rotation of inside spanner button provides lockout feature. Levers are available only on the inside trim of this function.	F100
H461		Hotel/Motel Lock Deadlocking latch bolt operated by key outside or rotating inside knob/lever. Outside knob/lever rigid. Rotating turn from inside extends deadbolt and changes visual message on outside from vacant to occupied. Both deadbolt and deadlocking latch bolt retract by rotating inside knob/lever. Depressing spanner button in inside knob/lever operates visual indicator shutting out all keys except emergency key. Rotation of inside spanner button provides lockout feature. Levers are available only on the inside trim of this function.	F101
H511		Entry Double Locking Deadbolt thrown or retracted by key in upper lock from outside or by inside turn. Deadlocking latch retracted by key in outer knob/lever when locked by pushing button in inner knob. Outer knob/lever may be fixed in locked position by rotating button. Deadbolt and latch bolt retracted by rotating inside knob/lever. Levers are available only on the inside trim of this function.	F96/97

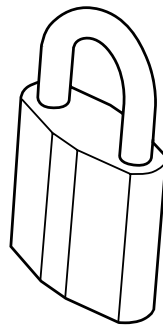
Padlocks

A pin tumbler padlock manufactured from solid bar stock brass, with chrome-plated, case-hardened steel shackle. The entire cylinder assembly is removable for easier rekeying or quick cylinder change. Note: Key is removable in locked position. Padlocks with longer shackles (2" or 6") available when specified. 1" shackle is standard.

Cylinders: Furnished with solid brass plug and housing, drilled with 6-pin chambers, pinned in 5 unless otherwise specified. Also available with 7-pin cylinder. Furnished with two (2) nickel silver keys standard.

Keyways: "G" keyway standard on standard cylinders.

Interchangeable core (SFIC) padlocks, branded Schlage, are also available. See pricebook for details.



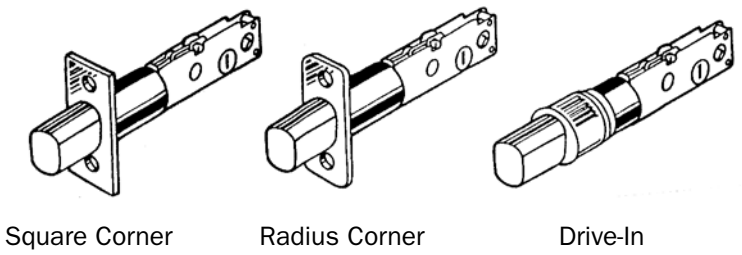
955 DEADLOCKING TYPE PADLOCK

H Series Deadbolts - 1" Projection, Standard

Standard deadbolts for H Series locks are non-UL listed. Available in 2-3/8" or 2-3/4" backsets.

Unless otherwise specified, we furnish a 2-1/4" x 1" x square-corner faceplate on 2-3/8" backset deadbolts and 2-1/4" x 1-1/8" x square corner on 2-3/4" backset deadbolts.

*Optional UL deadbolt available, except on drive-in deadbolts.



Deadbolts for H Series - except for double cylinder deadlock function and upper trim

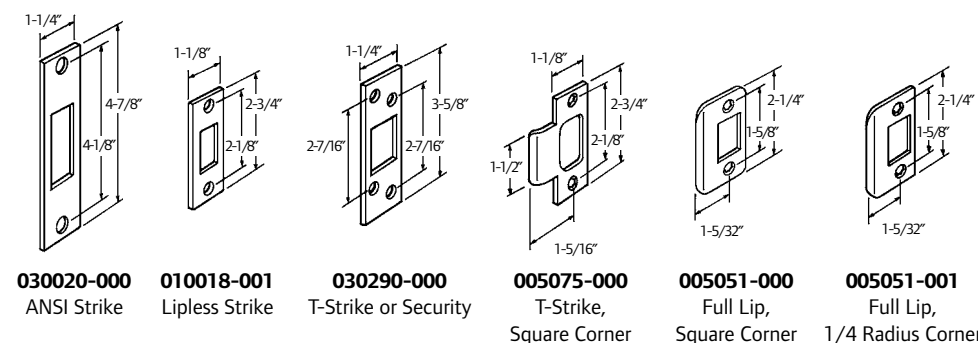
Catalog Number	Description	Faceplate Size	Corner
A74420-000	2-3/8" Backset Deadbolt	2-1/4" x 1"	Square
A74421-000	2-3/8" Backset Deadbolt	2-1/4" x 1"	Radius
A74425-000	2-3/8" Backset Deadbolt	2-1/4" x 1-1/8"	Square
A76429-000	2-3/8" Backset Deadbolt	Drive-In	Round
A74430-000	2-3/4" Backset Deadbolt	2-1/4" x 1"	Square
A74431-000	2-3/4" Backset Deadbolt	2-1/4" x 1"	Radius
A74435-000	2-3/4" Backset Deadbolt	2-1/4" x 1-1/8"	Square
A76439-000	2-3/4" Backset Deadbolt	Drive-In	Round

Deadbolts for H Series - double cylinder deadlock function only

Catalog Number	Description	Faceplate Size	Corner
A84420-000	2-3/8" Backset Deadbolt	2-1/4" x 1"	Square
A84421-000	2-3/8" Backset Deadbolt	2-1/4" x 1"	Radius
A84425-000	2-3/8" Backset Deadbolt	2-1/4" x 1-1/8"	Square
A86429-000	2-3/8" Backset Deadbolt	Drive-In	Round
A84430-000	2-3/4" Backset Deadbolt	2-1/4" x 1"	Square
A84431-000	2-3/4" Backset Deadbolt	2-1/4" x 1"	Radius
A84435-000	2-3/4" Backset Deadbolt	2-1/4" x 1-1/8"	Square
A86439-000	2-3/4" Backset Deadbolt	Drive-In	Round

Specify finish: 606, 613, 626 or 630.

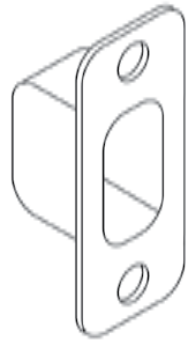
Strikes



Dust Boxes

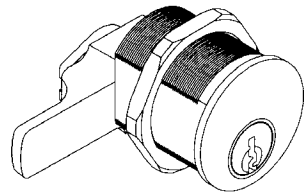
B500-622

Metal dustbox reinforcer for 10-094 strike.



945 Standard Cylinder Cam Lock

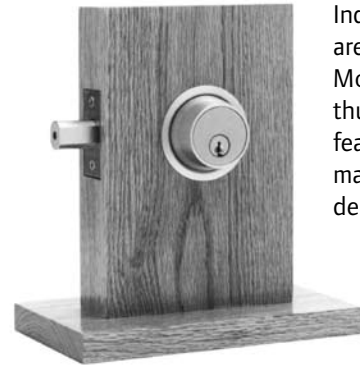
Cam lock for cabinet doors up to 3/4" thick. Large cam measures 1-1/2" center-to-end. Provided with two cam drivers to allow for rigid cam or lazy cam operation. Lock is field-reversible for right hand or left hand doors.



LAZY ACTION OPERATION:

1. Key rotates cam 90°.
2. Set screw limits cam rotation to 90°.
3. Key removable in locked or unlocked position.

Mounted Samples

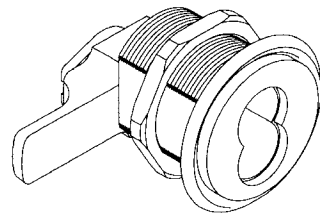


Individual mounted lock samples are available in auxiliary locks. Mounted locks are fully operative, thus demonstrating their individual features. Light and portable, they may be easily carried for on-site demonstrations.

C945 SFIC (Less Core) Cam Lock

Cylinders: Furnished with solid brass plug and housing drilled with 6-pin chambers, pinned in 5 unless otherwise specified. Available with 6- or 7-pin interchangeable cores. Furnished with two (2) nickel silver keys standard.

Keyways: "C" keyways standard on standard cylinders. "A" keyway standard on I/C core cylinders.



RIGID DRIVER OPERATION:

1. Key rotates cam 360°.
2. Set screw limits cam rotation if required.
3. Key removable in locked position only.

Screws

Part Number	Specify Finish	Description		Application	
		Size	Type	Use	Door Thickness
Keyed, Single Conventional Cylinder					
B600-100		1/4"-28 x 1-15/16"	POH mach.	Mounting	1-3/8" - 1-3/4"
B600-101	•	1/4"-28 x 1-15/16"	POH mach.	Mounting	1-3/8" - 2-1/4"
B600-066		6-32 x 1/4"	PH mach.	Turn	-
B520-298		10-32 x 3/8"	PH mach.	Anti-pry shield	-
Keyed, Single SFIC Cylinder					
B600-100		1/4"-28 x 1-15/16"	POH mach.	Mounting	1-3/8" - 2-1/4"
B600-066		6-32 x 1/4"	PH mach.	Turn	-
Keyed, Double Conventional Cylinder					
B600-047		1/4"-28 x 3-13/16"	PH mach.	Mounting	1-3/8" - 1-3/4"
B600-078		1/4"-28 x 1-29/64"	PH mach.	Mounting	1-3/8" - 2-1/4"
B520-298		10-32 x 3/8"	PH mach.	Anti-pry shield	-
Keyed, Double SFIC Cylinder					
B600-053		1/4"-28 x 3-61/64"	PH mach.	Mounting	1-3/8" - 2-1/4"
B520-298		10-32 x 3/8"	PH mach.	Anti-pry shield	-
Keyless, D261					
B600-066	•	6-32 x 1/4"	PH mach.	Turn	-
B600-048		10-32 x 1/2"	PH mach.	Mounting plate	-
F506-359		#8 x 3/4"	RH wood	Mounting plate	-
Keyless, D261M, D271					
B520-662		10-32 x 1-3/4"	POH mach.	Mounting	-
B520-663		10-32 x 1-3/4"	POH mach.	Mounting	-
B600-066		6-32 x 1/4"	PH mach.	Turn	-
All Functions					
C603-897		#8 x 3/4"	PFH combo.	Deadbolt & Strike	-
J520-028		#8 x 2"	PFH wood	2" strike screw	-
R525-256		#12 x 3"	PFH wod	3" metal dust box	-

D100 SERIES – Grade 1

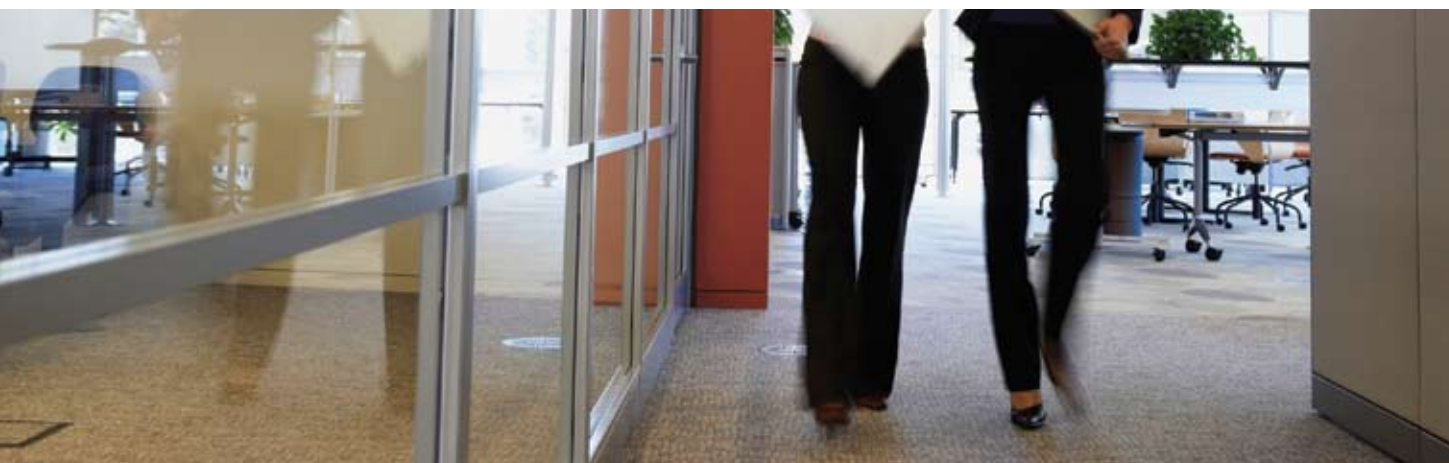
ANSI	Function	Falcon	Best	Corbin/ Russwin	Sargent	Yale
E01711	Schoolhouse Safety	D111	83S	DL2017	487	3362
E01611	Cylinder X Blank	D121	83L	DL2011	486	3332
E01411	Double Cylinder	D131	83M	DL2012	484	3322
E01511	Cylinder X Turn	D141	83K	DL2013	485	3312

D200 SERIES – Grade 2

ANSI	Function	Falcon	Best	Russwin	Sargent	Yale
E01712	Schoolhouse Safety	D211	N/A	DL2017	487	N/A
E01622	Cylinder X Blank	D221	73L	DL2011	486	N/A
E01422	Double Cylinder	D231	73M	DL2012	484	N/A
E21522	Cylinder X Turn	D241	73K	DL2013	485	N/A
E2192	Turn Inside only	D261	N/A	DL3060	489	N/A

Metric Conversion Table

1/32" = .79mm	3/16" = 4.76mm	1/2" = 12.70mm	15/16" = 23.81mm
1/16" = 1.58mm	1/4" = 6.35mm	9/16" = 14.28mm	1" = 25.40mm
3/32" = 2.38mm	5/16" = 7.93mm	5/8" = 15.87mm	2-3/8" = 60mm
1/8" = 3.17mm	11/32" = 8.73mm	3/4" = 19.05mm	2-3/4" = 70mm
5/32" = 3.96mm	3/8" = 9.52mm	7/8" = 22.22mm	5" = 127mm



For correct ordering, and to ensure no delays in processing of your order, the following descriptive data should be listed in the sequence shown. Necessary information can be found in other parts of this catalog. The example below shows an order for 20 each D locksets in the 141 Entry function, in a 626 (satin chrome) finish, to accommodate doors 1-3/4" thick with AA1- AA20 keying.

Quantity: Indicate the quantity required.

Series and Function Number: Select catalog number.

Cylinder Type: P = conventional cylinder, L = prepped for conventional cylinder, but less cylinder, B = prepped for SFIC, but less cylinder, BB = with Best style capped core, BDC = with disposable construction core, G = with Falcon slide cap core, H = with keyed construction core.

Bolt Type: D for deadbolt.

Finish: When the finish is the same for the outside and inside trim, it is shown once (626). For split finishes, the outside is designated first, then the inside (626 x 625).

Latch: 2-3/8" - 2-3/4" universal backset - standard.

How to Order Example

Qty.	Catalog Number	Trim Design	Finish	Latch	Strike	Cylinder	Detail
20	D141PD	—	626	STD	STD	6-PIN	AA1-AA20 1-3/4" DR

Trim Finishes

The latest in modern techniques and equipment are used to apply the highest quality finish. Extra steps assure durable, consistent finishes and long useful life.

Although we apply the finest available protective plating and/or enamel coating to the surface of our products, these finishes have limitations and in time may deteriorate either from exposure to weather, pollution, perspiration, extremes of climate, frequency of use or other factors. Deterioration of these finishes is, therefore, not a defect, but a normal process which is unavoidable.

Our company cannot accept responsibility for finish deterioration in these circumstances; therefore, the finishes cannot be guaranteed. These products will not be refinished or replaced under our warranty should deterioration of finishes occur.

Strike: 2-3/4" x 1-1/8" lipless standard. Optional ANSI, T-strike, full lip strikes or security strike available.

Cylinder Type: For 6-pin, add 6-pin. For 7-pin, add 7-pin. 7-pin conventional cylinder is not available on the H Series.

Door Hand: Not required. All other locks are fully reversible.

Keying Detail: We suggest using the standard terms developed by the A.H.C. (Architectural Hardware Consultants). Example: AA1 - Grand Master keyed, Master keyed, change key 1.

Interchangeable Core: Specify for 6 or 7 pin if ordering prepped for interchangeable core (SFIC). BD6 or BD7, GD6 or GD7, BB6 or BB7.

Keyway: "G" is standard on regular cylinders, "A" is standard on interchangeable cores. Other keyways available. Please consult factory.

Additional Keys: Note the total number of keys required.

Large Bow Keys: Add - "with large bow keys."

Trim Finishes Chart

Description	ANSI No.	Available on
Bright Brass	605	All Trim
Satin Brass	606	*
Satin Bronze Oil Rubbed	613	*
Bright Chrome	625	*
Satin Chrome	626	All Trim

* Consult price book for finish availability by product



Ingersoll Rand's Security Technologies Sector is a leading global provider of products and services that make environments safe, secure and productive. The sector's market-leading products include electronic and biometric access-control systems; time-and-attendance and personnel scheduling systems; mechanical locks; portable security; door closers, exit devices, architectural hardware, and steel doors and frames; and other technologies and services for global security markets.

800-266-4456

www.falcon.ingersollrand.com

www.ingersollrand.com